

## The Influence of Holding Device Anchor Parameters On The Holding Force Magnitude, Of An Integrated Linear Electromagnetic Motor

Ginady G. Ugarov\* Vladimir IV. Moshkin\*\* Amer Kh. Massad\*\*\*

\* (Professor of "Power supply of industrial enterprises department, Saratov State Technical University, Russia)

\*\* (Associate Professor, Head of Energy and technological of materials department at Kurgan State University, Russia)

\*\*\* (Assistant professor, Head of Electrical & Mechanical Engineering Department, An-Najah National University, Palestine)

### ABSTRACT

This paper investigates the influence of the design parameters of the upper ferromagnetic shunt, namely the value of the holding area  $S_H$ , that creates a holding force  $F_H$ , equal to that in breakaway stage in magnitude of this holding force at the breakaway stage. The design of an integrated circuit and the equivalent magnetic circuit of the integrated LEMM on breakaway stage was built, mathematical models of system were laid out. The most acceptable range of these ranges of magnitude of holding area is  $S_H^* \geq 0.2 \dots 0.4$ , and this happens when  $\Phi_{ush}^* = 0.2 \dots 0.4$ . The resulting holding force will vary in range of (0.05 ... 0.15) to (0.2 ... 0.55).

**INDEX TERMS:** Holding force, holding area, holding device, break away stage, upper shunt, lower shunt, anchor

Date of Submission: 10 March 2014



Date of Publication: 15 April 2014

### I. INTRODUCTION

One way of increasing specific power and energy performance of pulsed electromagnetic linear motors (LEMM) reciprocation that implement multiple pulse technology is forced accumulation of magnetic energy in the working clearances pulse LEMM on the breakaway anchors (armature) stage due to the delay (retention) of its movement. In this case, the appearance and increase of the current in the windings of the motor anchor stay for a while in a stationary state, in spite of the increasing tractive force of working clearances due to static loading motor, the anchor is held by electromagnetic device. Anchor starts to move with increased initial tractive force. The holding force  $F_H$  regulation achieved by motor design, is quite simple and has a wide range of  $F_H$  available by changing current in the coil of the holding electromagnet device supplied from a separate source [1, 2].

The desire to simplify the design of pulse LEMM while increasing its specific power and energy performance, have led to the idea of integrated design of the motor, through better holding device of anchor based on the same magnetic core and the same magnetic motive force mmf [3, 4, 5].

### II. PROBLEM STATEMENT

In such motor design, anchor on breakaway stage is held by its own magnetic field ferromagnetic guide housing 2 Fig.1, which is called an upper magnetic shunt relative to the upper running clearance  $\delta_u$ . Lower magnetic shunt is a ferromagnetic anchor guide 3. Thus, the LEMM in this design has two working clearances shunted by motor parts design - the upper and lower magnetic shunts. During operation in this LEMM with holding device (holding device integrated in design), both shunts saturate an eventually affect motor performance. Experimental studies of such integrated LEMM showed that the regulation of holding force is difficult because it depends on several design parameters of the motor.

This paper investigates the influence of the design parameters of the upper ferromagnetic shunt, namely the value of the holding area  $S_H$ , that creates a holding force, equal to that in breakaway stage in magnitude of this holding force at the breakaway stage. In this LEMM design, holding force  $F_H$  occurs between mating

surfaces, which is formed by the upper part of the flat anchor 1 and the top of the inside of the ferromagnetic shunt (2) when they are in contact or almost in contact the gap  $\delta_0$ .

### III. MATHEMATICAL MODELS OF SYSTEM

In such a motor design, when we connect the coil to the power supply for the first time and until the initial magnetic field has not yet unfolded, both the magnetic shunts are also not saturated and have small magnetic reluctance  $R_{ush}$   $R_{Lsh}$ , hence  $R_{ush} = R_{ush1} + R_{ush2}$ .

From the equivalent of the magnetic circuit LEMM and with neglecting the leakage flux Fig.2 which is corresponding to the design scheme in Fig. 1, the magnetic flux  $\Phi_{yo}$  yoke 5 appears as two components:

$$\Phi_{yo} = \Phi_{ush} + \Phi_{\delta u} = \Phi_{Lsh} + \Phi_{\delta L} \quad (1)$$

these two components pass in the anchor LEMM almost entirely through the upper shunt ( $R_{ush}$  and  $R_{up\delta}$ ), bypassing the upper working clearances  $\delta_u$ , which in this case have much bigger reluctance  $R_{\delta u}$  compared to the reluctance of the upper branch of the  $R_{ub}$  shunt Fig.2 and the technological gap  $\Delta$ :

$$R_{ub} = R_{ush} + R_{up\delta} \quad (2)$$

$$R_{up\delta} = \frac{\delta_{up}}{\mu_0 S_H};$$

$$R_{\Delta} = \frac{\Delta}{\mu_0 S_{upsh}} \quad (3)$$

Where  $R_{up\delta}$ , the reluctance of the air gap  $\delta_{up}$ , creates the holding force and forms mating surfaces of the upper shunt and the top of the anchor 1.

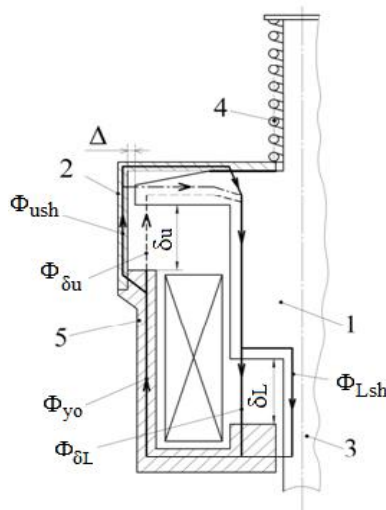


Figure 1 The Design of An Integrated Circuit LEMM.

$R_{up\delta}$  at a given moment is much smaller than shunt  $R_{ush}$ ; due to minimal value of air gap  $\delta_{up}$ , which is selected in the initial state of a return spring 4 and smaller than the reluctance technological gap  $R_{\Delta}$ . Therefore, the expressions (1) and (2) can be written as:

$$\Phi_{yo} \approx \Phi_{ush} ; R_{ub} = R_{ush}$$

Then by the electromagnetic holding force which occurs between the upper shunt and the upper shunt of part anchor, the anchor is attracted to the stationary shunt, and despite the increase of the current in the coil anchor it is held in this position. The magnitude of holding force  $F_H$  in this case depends on the magnitude of the magnetic flux of the upper shunt  $\Phi_{ush}$  and its contact area with the flat part of the anchor - (Holding

area)  $S_H$  (in Fig.1 shows a heavy line). The magnitude  $\Phi_{ush}$  with a certain saturation induction  $B_0$  material of the guide housing (upper shunt) is determined by its cross-sectional area  $S_{ush}$ . Accordingly, the value of holding force under these conditions will be a function of two design parameters - area  $S_H$  and area  $S_{ush}$ .

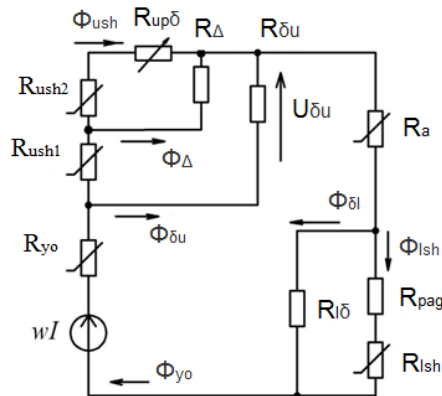


Figure 2 The Equivalent Magnetic Circuit of The Integrated LEMM on Breakaway Stage

With increasing mmf winding  $wi$  on breakaway anchors stage, the magnetic flux of the upper shunt  $\Phi_{ush}$  also increases. Thus, the holding force increases and saturates this ferromagnetic shunt, and reluctance  $R_{ush}$  begins to increase. As a result, shunt flux slowdown and a simultaneous redistribution of  $\Phi_{ush}$  and  $\Phi_{\delta u}$  occurs according to equation (1). That is, all the bulk of the flux in the yoke  $\Phi_{y0}$  in particular the flux component  $\Phi_{\delta u}$  extends through upper working clearance (the dotted line in Fig.1) which is represented by  $R_{\delta u}$  element in the equivalent magnetic circuit (Fig.2), that creates additional tractive force down, acting on a combined anchor 1 motor. Similar processes occur in the lower shunt with the difference that it is saturated before the upper shunt, and the reluctance of the parasitic air gap  $R_{pag}$  Fig.2 remains unchanged when the motor is operated and accordingly the tractive force in the parasitic air gap is not created.

Anchor LEMM is pulled out from the holding area of upper shunt and begins to move when the sum of traction forces of the upper  $F_{\delta u}$  and lower  $F_{\delta l}$  running clearances (excluding leakage flux) exceeds the holding force of the upper shunt  $F_H$  :

$$F_H < F_{\delta u} + F_{\delta l} \quad (4)$$

To assess the effect of parameters design of the upper shunt at breakaway moment of anchor, and to express each of the components (4) we use Maxwell formula for one working air clearance. Then (4) takes the form:

$$\frac{\Phi_{ush}^2}{2\mu_0 S_H} < \frac{\Phi_{\delta u}^2}{2\mu_0 S_{\delta u}} + \frac{\Phi_{\delta l}^2}{2\mu_0 S_{\delta l}}, \quad (5)$$

where  $S_{\delta u}$ ,  $S_{\delta l}$  are the areas of the upper and lower working clearances of LEMM respectively.

Substitute flux  $\Phi_{\delta u} = \Phi_{y0} - \Phi_{ush}$  in equation (5). Assuming  $S_{\delta u} = S_{\delta l} = S_{y0} = S_a$  and fluxes  $\Phi_{\delta u} = \Phi_{y0}$  result in the following equation :

$$\frac{\Phi_{ush}^2}{S_H} < \frac{(\Phi_{y0} - \Phi_{ush})^2}{S_{y0}} + \frac{\Phi_{y0}^2}{S_{y0}} \quad (6)$$

Approximately fluxes  $\Phi_{\delta l} = \Phi_{y0}$  are equal when lower shunt is saturated. Overstating tractive force in the lower working clearance is justified by the fact that, the leakage fluxes, which are neglected in the analysis, participate in the creation of tractive force of the motor in the breakaway stage. Taking  $\Phi_{ush}$ , relative to  $\Phi_{y0}$  and  $S_{ush}$ ,  $S_H$  relative to the  $S_{y0}$  the following equation results:

$$\Phi_{ush}^* = \frac{\Phi_{ush}}{\Phi_{yo}}, S_{ush}^* = \frac{S_{ush}}{S_{yo}}, S_H^* = \frac{S_H}{S_{yo}}$$

Solving this equation with respect to  $\Phi_{ush}^*$  we get:

$$\Phi_{ush}^* < \frac{-1 + \sqrt{\frac{2}{S_H^*} - 1}}{\frac{1}{S_H^*} - 1} \quad (7)$$

An expression similar to equation (7) is obtained in [6].

From equation (7), it is clear that the dependence of holding force  $F_H$  upper shunt on the value of the holding area  $S_H$  through various values of the saturated flux of the upper shunt  $\Phi_{ush}$ .

To express the holding force  $F_H$  in relative terms  $F_H^* = \frac{F_H}{F_{bas}}$  it is appropriate to use a tractive force of

LEMM with two working clearances based on Maxwell formula.

The tractive force in Maxwells equation is equal twice the value of traction force of one of the working air gaps, in the upper shunt or lower.

The upper shunt is used in following equation

$$F_{bas} = 2 F_{\delta u} = \frac{\Phi_{\delta u}^2}{\mu_0 S_{yo}}$$

Then the holding force is expressed as:

$$F_H^* = \frac{F_H}{F_{bas}} = \frac{\Phi_{ush}^2 \mu_0 S_{yo}}{2 \mu_0 S_H \Phi_{\delta u}^2} = \frac{\Phi_{ush}^2 S_{yo}}{2 S_H (\Phi_{yo} - \Phi_{ush})^2}$$

After the rearranging above equation we get :

$$F_H^* = \frac{\Phi_{ush}^2 S_{yo}}{2 S_H^* (1 - \Phi_{ush}^*)^2} \quad (8)$$

In formula (8), parameter  $\Phi_{ush}^* = \frac{\Phi_{ush}}{\Phi_{yo}}$  can be considered as saturation flux which occurs in the upper shunt .

As shown in Fig.3 and with reference to equation (8),  $F_H^* = f(S_H^*)$  when  $\Phi_{ush}^* = const$ , which clarify the influence of the values of holding area of the upper shunt on holding force, when upper shunt is saturated.

The analysis shows that with increasing the magnitude of  $S_H^*$ , the holding force  $F_H^*$  decrease and thus becomes more stable. This is due to the decrease of the magnetic induction in the air clearance. The magnetic induction in the air clearance influence the force  $F_H$  more than  $S_H$ .

It is evident from each curve in Fig. 3 which correspond to a small change of magnitude of shunt saturation flux,  $\Phi_{ush}^* = 0.1 \dots 0.2$ , that with small portion of shunt  $S_{ush}^*$ , there are two different changeable sizes for  $F_H^*$ , such that when you change  $S_H^*$  there will be two areas one represents significant change and the other represents negligible one in the curve  $F_H^*$ .

From Fig.3, it is indicated that the first portion of changes in  $F_H^*$  cannot be used for the purpose of regulating the energy stroke LEMM, but it is possible to use  $\Phi_{ush}^* > 0.2$  for this purpose.

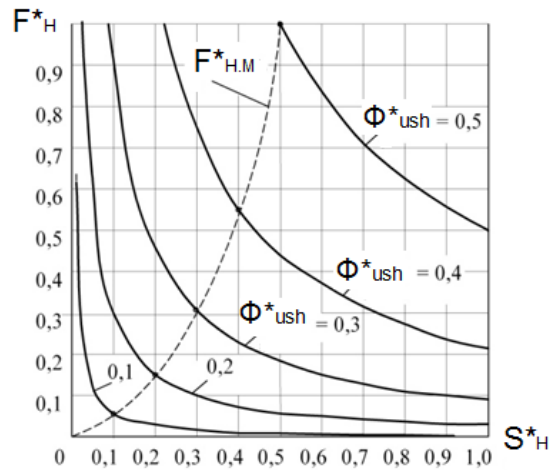


Figure 3 The Influence of Magnitude of Holding Area  $s_H$  and Magnetic Flux Shunt  $\phi_{ush}$  on Holding Force Anchor  $F_H$

During the process of regulating the energy of the LEMM working stroke the holding force should be less than tractive force, therefore, the area of the graph in Fig.3, corresponds to  $F_H^* > 1$ , should not be used.

Since the magnetic flux lines  $\Phi_{ush}$  on breakaway anchor stage LEMM, include portions of a ferromagnetic guide housing 1 and holding area 2 with cross-sections  $S_{ush}$  and  $S_H$ , then, taking the induction values  $B_0 = B_H$  of these sections we obtain the same flux  $\Phi_{ush}$  for the same values of cross-sections  $S_H = S_{ush}$ .

As indicated by the next equation, the values expressed in relative terms will be equal:

$$\Phi_{ush}^* = S_H^* = S_{ush}^* \quad (9)$$

Solving equation (8) for  $F_H^*$ , to determine the maximum holding force under the condition implemented in equation (9) the following equation results:

$$F_{H.M}^* = \frac{0.5 S_H^*}{(1 - S_H^*)^2} \quad (10)$$

Equation (10) gives the range for design parameters values for holding device of the motor. The maximum value for the holding force is shown as a dotted line in Fig.3.

To the left of the dotted line in fig.3 combination of parameters  $s_H^*$ ,  $\phi_{ush}^*$  and  $s_{ush}^*$  cannot be calculated, because of the saturation of the magnetic shunt and the holding area. This saturation leads to a decrease in  $F_H$ , therefore it is advised to saturate the holding area after ferromagnetic guide housing, by the means of greater inductions and magnetic flux respectively.

This can be achieved either by overstating section  $s_H$  ( $s_H > s_{ush}$ ), or by higher saturation magnetic flux density of the material area at the same section  $S_H$ . For these reasons, the combination of parameters is possible to the right of the dotted line. Thus holding force can be regulated by using, for example, a removable washer as proposed in [3, 4].

The most acceptable range of the magnitude of holding area is  $s_H^* \geq 0.2 \dots 0.4$ , and this happens when  $\phi_{ush}^* = 0.2 \dots 0.4$ . The resulting holding force will vary in the range of (0.05 ... 0.15) to (0.2 ... 0.55), above values for holding area will allow regulating the energy in working stroke of pulse LEMM at high efficiency during the static loading of the motor [7]. The relations obtained are used in the design calculations of pulse LEMM with an integrated holding device of anchor.

#### IV. CONCLUSION

Implementation of the forced accumulation of magnetic energy in an integrated LEMM on breakaway anchor stage can be achieved only by certain range of parameters of the holding device anchor and the shunt. The ranges of the magnitude of holding area is  $S_H^* \geq 0.2 \dots 0.4$ , and this happens when  $\Phi_{ush}^* = 0.2 \dots 0.4$ . The resulting holding force will vary in the range of  $(0.05 \dots 0.15)$  to  $(0.2 \dots 0.55)$ . Increasing sectional area of the upper shunt  $S_{ush}^*$  and decreasing the magnitude of holding area  $S_H^*$  according to above ranges of parameters will increase the magnetic induction of the yoke, starting the anchor to move with increased initial value of the tractive force LEMM.

#### REFERENCES

- [1] N.P. Ryashentsev .G.G. Ugarov., A.B. Lvytsin "Electromagnetic press", Nauka Publishers, sibirsk branch, Novosibirsk, 1989.- 216p.
- [2] Patent RU2018652, E21C 3/16. Electric hammer. / A.F Maer, V. I Moshkin, IP Popov (Russian Federation). 4712733/03; appl. 07.03.89, publ. 30.08.1994.
- [3] Patent RU2084071, HO2K 33/02. The linear electromagnetic motor / G.G Ugov VY Neumann (Russian Federation). 95110459/07; appl. 22.06.1995, publ. 10.07.1997.
- [4] V.Y. Neiman."Integrated linear electromagnetic motors for pulse technology", Electrical Engineering, 2003. November 9. pp. 25-30.
- [5] V.I. Moshkin and G.G. Ugarov."Estimation of parameters of the device forced accumulation of magnetic energy of a linear electromagnetic motor." Innovative technology in teaching and production. Proceedings of the VI All-Russian scientific-practical conference Kamishyn, 15-16 December 2009 Volume 2. - Volgograd Volgograd State Technical University Publishing House, 2010. - pp 75-78.
- [6] I.M. Husainov and A.Kh. Massad "The accelerated accumulation of magnetic energy in the pulse electromechanical transducer", Problems of the electric power industry. Inter-college. scientific collection - Saratov: Saratov State Technical University in 2000. pp.36-38.
- [7] Moshkin V.I. Egorov A.A and Ugarov G.G. "The study of the forced modes of magnetic energy storage in pulse linear electromagnetic motors", Vestnik of the Saratov State Technical University. - Saratov: SSTU 2006, № 1 (10), no.1. - pp. 39-44.